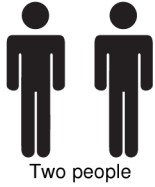


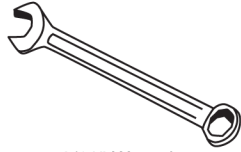


www.CANWAYEQUIPMENT.com

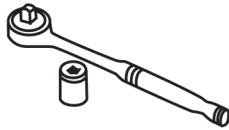
LADDER ASSEMBLY AND USER GUIDE
REQUIREMENTS FOR ASSEMBLY



Two people



9/16" Wrench



9/16" Socket Wrench

Upon receipt of the unit, check the ladder and bracing for any visible defects or shipping damage.

Do not set up ladder if there is any visible damage. **Note any damage on waybill, and then contact your CANWAY distributor.**

ASSEMBLY INSTRUCTIONS

• **Step - 1:** Position the ladder with the steps and handrail facing the floor (See Figure 2A, 3A). ****For ladders 11H and up, position the ladder on its side (See Figure 4A).**

• **Step - 2:** On the rear of the ladder you will find two bracing pieces attached to the ladder. One brace is attached below the top step by two bolts. The other brace is attached at the front of the ladder near the swivel casters. These bracing pieces are to remain fixed at these points. ****For larger and Rotate-In-Place (RIP) ladders, you will find loose bracing strapped to the unit. Remove and set aside.**

• **Step - 3:** At the opposite end of these braces will be a lug. Using the nuts and bolts provided, insert into the lug to join the two sets of bracing so the wheels are toward the ceiling (See Figure 2A, 3A). **RIP and Larger ladders will be on their side so the wheels will not point towards the ceiling** (See Figure 4A).

• **Step - 4:** Securely fasten bolts. ****For 6H - 10H ladder, please skip Step - 5.**

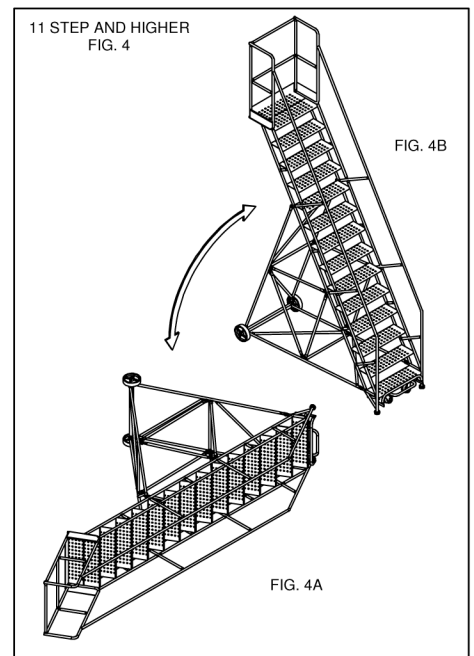
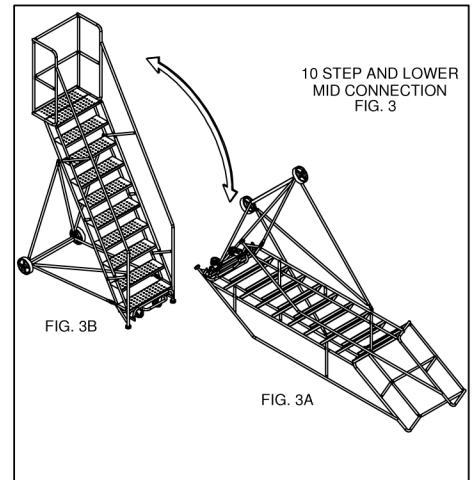
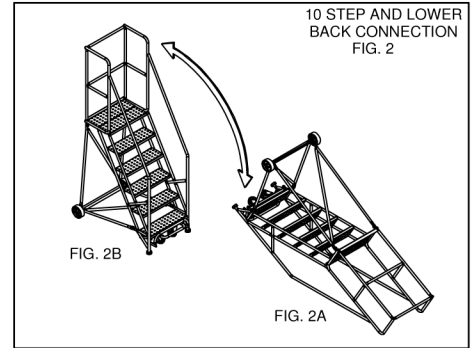
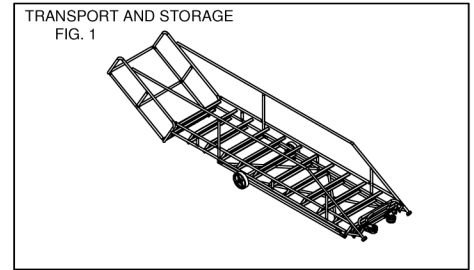
• **Step - 5:** Separate the bracing into pairs (set aside from step 2). Using the bolts provided, attach bracing to remaining lugs. ****HINT: Install bottom bracing first.** If you have a Rotate-In-Place unit there will be an extra piece. This is a linkage bar and will have a nut and bolt at one end. Attach one end to lug above center wheels and other end beneath first step. Skip Step - 6.

• **Step - 6:** Stand near the top of the ladder, grab the handrails and walk forward lifting the top step end into the air. Continue to lift until the weight of the ladder counters and the rear wheels are placed on the floor (See Figure 2, 3). This may require 2 people. Skip Step 7.

• **Step - 7:** For larger and RIP Ladders, using two (2) people, grab handrails closest to floor and push until ladder has come to rest on all wheels (Figure 4).

• **Step - 8:** Check for levelness. **If ladder is not level:** loosen bolts slightly, allow ladder to settle and re-tighten bolts.

• **Step - 9:** Inspect all bolted connections and wheel assemblies to ensure proper assembly. For units with a top step greater than 10', a competent person must inspect the assembly prior to putting it into service.



MAINTENANCE OF YOUR LADDER

A visual check for structural damage should always be performed prior to using the ladder. Frequent greasing of wheels, caster bearings and trip step rollers will help to prolong the life of your ladder. Keep steps and platform clean and free from debris. For replacement parts (wheels, casters, rubber glides, and touch-up paint) see your CANWAY Distributor.

USER GUIDE AND WARNINGS

CARE AND USE OF YOUR CANWAY LADDER

- Users must read and understand the user instructions before being allowed to use a ladder stand. As an alternative, employers must instruct employees in the proper use of the units prior to allowing use.
- Ladder stand unit must be visually inspected prior to use. Inspection is for damage, unusual wear, deterioration or corrosion. Any loose bolts, nuts or connections must be tightened. All threaded fasteners must be equipped with locking hardware.
- Damaged or weakened components are not to be used until repaired. Units that are damaged subsequent to their receipt and/or are worn beyond repair must be removed from service.
- Overreaching while on a unit can cause instability and result in a fall. Always place the unit in close proximity to the work. Descend from unit and relocate it to avoid overreaching.
- General maintenance of a ladder stand includes cleaning, lubrication, painting and replacement of wheels, casters and rubber pads.
- Ladder stands and ladder stand platforms must never be moved while occupied.
- Units must not be loaded beyond their Rated Load capacity. Materials and/or equipment must not be stored on the steps or platform of a unit.

• Additional height must not be gained by the addition of any type of extension or object being placed upon the unit.

• Users must remove foreign materials, such as mud or grease, from their shoes prior to ascending.

• Handrails should be used while ascending or descending. The user must face the steps while ascending or descending.

• Occupied units must not be placed in front of a door unless the door is secured in an open position, locked, attended or barricaded.

• Use ladder stands only on level surfaces. They are not to be used on uneven or sloping surfaces.

• Users are not permitted to stand on components of the unit other than the steps or platform.

• Climbing a damaged ladder is not permitted.

• Repairs of units must be performed by qualified personnel only.



Users are cautioned to take proper safety measures when units are used in areas where electrical lines exist. These precautions should prevent any contact or possible contact with an energized insulated conductor (electrical lines) in order to avoid shock.

